



Series **OP3**

3" REWINDABLE OIL FILLED
SUBMERSIBLE MOTOR

OP3 Series

3" rewindable oil filled submersible motor

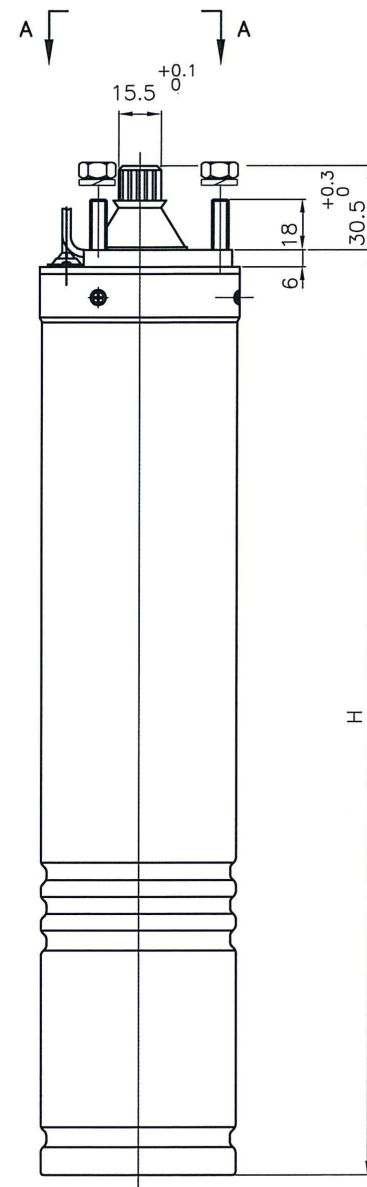
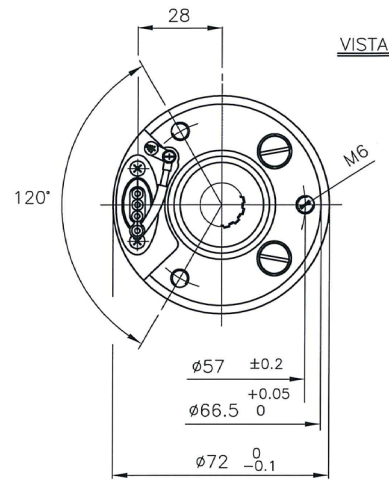


Technical features

- Rewindable.
- Upper bracket: Nickel plated cast iron. SS 316 available.
- Motor case: SS 304.
- Motor shaft: SS 304.
- Shaft extension and coupling: NEMA Standard.
- High quality radial and thrust ball bearings.
- Winding: enameled copper - Class F insulation.
- Degree of protection IP68/Class B insulation.
- Max temp. 35° with water cooling flow min. 0.08 m/s.
- Max depth immersion: 100 m.
- Nos. of start per hour: max 30 at regular intervals.
- Over-dimensioned sand slinger.
- Mechanical seal: graphite/ceramic.
SiC/SiC or SiC/Al mechanical seal available as option.
- Coolant: dielectric non toxic high quality lubricant.
- Motor cable length: 1,75 m (3 wires plus ground).
- Voltage variation: +/-10%.
- Single phase motor available with permanent split capacitor.
- Suitable for horizontal operation.

Motor range versions:

- Single Phase: 0.37kW (0.5hp) to 0.75kW (1hp),
220-230V / 50Hz (or 60Hz)
 - Three Phase: 0.37kW (0.5hp) to 1.10kW (1.5hp),
380-415V / 50Hz – 460V / 60Hz.
- Other voltage and frequencies available upon request.



DIMENSIONS AND WEIGHT

Type	kW	Ph	Hp	Axial thrust	H mm	Weight Kg
OPM 050	0,37	1ø	0,5	1200 N	377	6
OPM 075	0,55		0,75		397	6,4
OPM 100	0,75		1		416	6,8
OPT 050	0,37	3ø	0,5		377	6
OPT 075	0,55		0,75		377	6
OPT 100	0,75		1		397	6,4
OPT 150	1,1		1,5	416	6,8	

OP3 Series

3" rewindable oil filled submersible motor

SINGLE PHASE																
50Hz.	Thrust Load	Weight	H	kW	Hp	In	Istart	RPM	Cosφ	Ts/Tn	EFF%	μF	Rm	Ra	Rf	
	N	Kg	mm			Amp										
220/230V	OPM 050		6,00	377,00	0,37	0,5	3,75	8,80	2800	0,96	0,58	51	16	11,10	35,5	/
	OPM 075	1200	6,40	397,00	0,55	0,75	4,50	12,20		0,98	0,54	55	20	7,85	21,35	/
	OPM 100		6,80	416,00	0,75	1	5,85	14,50		0,98	0,55	57	25	6,01	12,95	/

THREE PHASE														
50Hz.	Thrust Load	Weight	H	kW	Hp	In	Istart	RPM	Cosφ	Ts/Tn	EFF%	Rf		
	N	Kg	mm			Amp								
380/415 V	OPT 050		6,00	377,00	0,37	0,5	2,40	8,00	2800	0,71	2,10	51	29,50	
	OPT 075	1200	6,10	377,00	0,55	0,75	2,50	9,10		0,75	2,00	56	29,50	
	OPT 100		6,40	397,00	0,75	1	2,90	11,70		0,75	2,00	63	22,60	
	OPT 150		6,80	416,00	1,1	1,5	3,60	14,00		0,75	2,00	63	22,10	
220 V	OPT 050		6,00	377,00	0,37	0,5	4,15	14,00	2800	0,71	2,10	51	9,28	
	OPT 075	1200	6,10	377,00	0,55	0,75	4,33	16,00		0,75	2,00	56	9,28	
	OPT 100		6,40	397,00	0,75	1	5,02	20,00		0,75	2,00	63	7,30	
	OPT 150		6,80	416,00	1,1	1,5	6,23	24,00		0,75	2,00	63	6,83	

SINGLE PHASE																
60Hz.	Thrust Load	Weight	H	kW	Hp	In	Istart	RPM	Cosφ	Ts/Tn	EFF%	μF	Rm	Ra	Rf	
	N	Kg	mm			Amp										
220/230V	OPM 050		6,00	377,00	0,37	0,5	3,80	9,00	2800	0,96	0,54	51	12,5	11,32	36,40	/
	OPM 075	1200	6,40	397,00	0,55	0,75	4,60	13,00		0,98	0,52	55	16	8,25	22,60	/
	OPM 100		6,80	416,00	0,75	1	5,95	15,00		0,98	0,52	57	25	6,20	12,90	/

THREE PHASE														
60Hz.	Thrust Load	Weight	H	kW	Hp	In	Istart	RPM	Cosφ	Ts/Tn	EFF%	Rf		
	N	Kg	mm			Amp								
380 V	OPT 050		6,00	377,00	0,37	0,5	2,10	9,00	3400	0,71	2,00	51	29,50	
	OPT 075	1200	6,10	377,00	0,55	0,75	2,20	10,00		0,75	2,00	56	29,50	
	OPT 100		6,40	397,00	0,75	1	2,60	13,00		0,75	2,00	63	22,60	
	OPT 150		6,80	416,00	1,1	1,5	3,40	15,00		0,75	2,00	63	22,10	
220 V	OPT 050		6,00	377,00	0,37	0,5	3,81	17,30	3400	0,71	2,10	51	9,28	
	OPT 075	1200	6,10	377,00	0,55	0,75	4,50	22,49		0,75	2,00	56	9,28	
	OPT 100		6,40	397,00	0,75	1	5,88	25,95		0,75	2,00	63	7,30	
	OPT 150		6,80	416,00	1,1	1,5	0,00	0,00		0,75	2,00	63	6,83	



Sumoto srl a company of Ebara Group
 Via Peripoli R. e G., 1/3 - 36075
 Alte di Montecchio Maggiore (Vicenza) - Italy
 Tel. +39 0444 490515 - Fax +39 0444 490518
 info@sumoto.com
 www.sumoto.com

