



Series **OP4**  
**2wire**

4" 2 WIRE REWINDABLE OIL  
FILLED SUBMERSIBLE MOTOR

# OP4 2W Series

## 4" 2 wire rewindable oil filled submersible motor

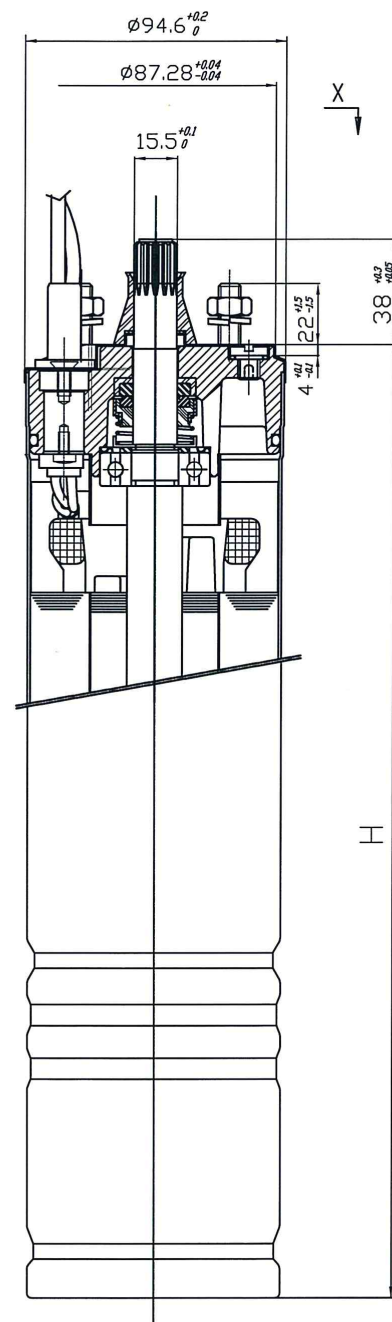
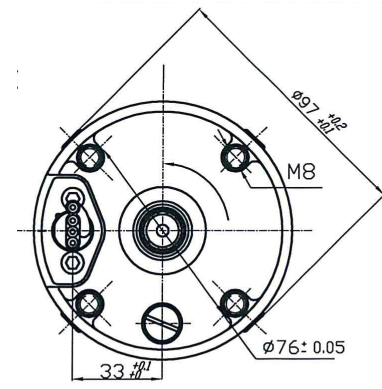


### Technical features

- Rewindable.
- Built in capacitor.
- Built in thermal overload.
- Upper bracket: Nickel plated cast iron.  
SS304 cover sheet / Brass / SS316 available.
- Motor case: SS 304.
- Motor shaft: SS 304.
- Shaft extension and coupling: NEMA standard.
- High quality radial and thrust ball bearings.
- Winding: enameled copper - Class F insulation.
- Degree of protection IP68/Class B insulation.
- Max temp. 35° with water cooling flow min. 0.08 m/s.
- Max depth immersion: 150 m.
- Nos. of start per hour: max 30 at regular intervals.
- Over-dimensioned sand slinger .
- Mechanical seal: graphite/ceramic. SiC/SiC  
or SiC/Al mechanical seal available as option.
- Coolant: dielectric non toxic high quality lubricant.
- Motor cable length: 1,75 m (2 wires plus ground).
- Voltage variation: +/-10%.
- Suitable for horizontal operation.

### Motor range versions:

- Single Phase: 0.37kW (0.5hp) to 1.1kW (1.5hp),  
220-230V / 50Hz (or 60Hz).
- Other voltage and frequencies available upon request.



### DIMENSIONS AND WEIGHT

	Type	kW	Hp	Axial thrust	H mm	Cable			Weight Kg
						Sez. mm <sup>2</sup>	A mm	B mm	
SINGLE PHASE 220V-230V / 50Hz	OPM 050	0,37	0,5	1500 N	325	1,5	5,6	18,8	7
	OPM 075	0,55	0,75		325				7,6
	OPM 100	0,75	1		350				8,7
	OPM 150	1,1	1,5		385				10,3

# OP4 2W Series

4" 2 wire rewindable oil filled submersible motor

SINGLE PHASE													
50Hz.	Thrust Load	Weight	H	kW	Hp	In	Istart	Imax	RPM	Cosφ	Ts/Tn	EFF%	Cr μF
	N	Kg	mm			Amp							
	220/230 V	OPM 050	7	325	0,37	0,5	3,9/4,1	10,2	3,8	2860	0,93	1,2	46
OPM 075		7,6	325	0,55	0,75	4,8/4,9	13,6	5,6	2820	0,86	0,7	55	25
OPM 100		8,7	350	0,75	1	6/6,2	18,5	8	2830	0,95	0,7	57	30
OPM 150		10,3	385	1,1	1,5	7,5/7,9	26	10,1	2820	0,86	0,6	70	30

SINGLE PHASE													
60Hz.	Thrust Load	Weight	H	kW	Hp	In	Istart	Imax	RPM	Cosφ	EFF%	Cr μF	S.F.
	N	Kg	mm			Amp							
	220/230 V	OPM 050	7	325	0,37	0,5	3,2/3,4	13,5	4,2	3480	0,94	53	20
OPM 075		7,6	325	0,55	0,75	4,8	18	6,6	3480	0,96	52	25	1,5
OPM 100		8,7	350	0,75	1	6,4	24	7,9	3460	0,91	56	30	1,4
OPM 150		10,3	385	1,1	1,5	7,9	33	11,2	3460	0,94	65	30	1,3
110/115 V	OPM 050	7	325	0,37	0,5	6,9/7,4	26	10,6	3470	0,94	50	25	1,6



**Sumoto srl** a company of Ebara Group  
 Via Peripoli R. e G., 1/3 - 36075  
 Alte di Montecchio Maggiore (Vicenza) - Italy  
 Tel. +39 0444 490515 - Fax +39 0444 490518  
 info@sumoto.com  
 www.sumoto.com

